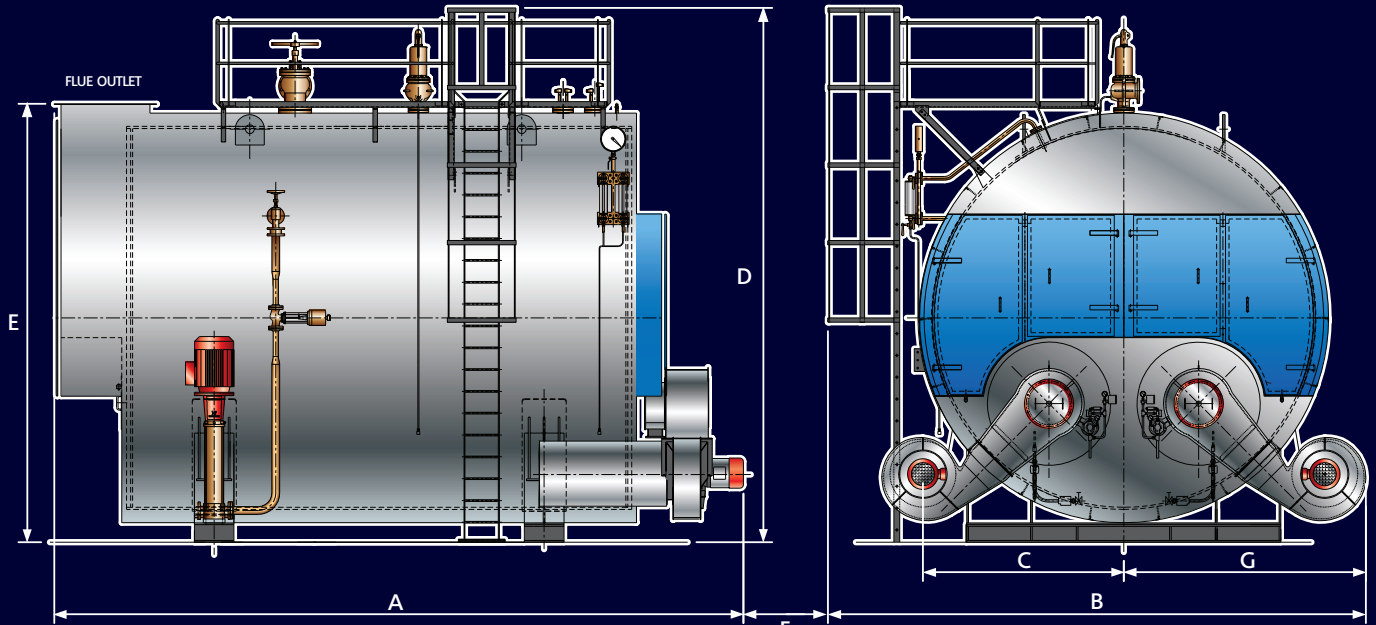


Cochran Steam Boiler

Model:
Thermax Twin Furnace

The Twin Furnace Thermax steam boiler range is ideally suited for large load applications. The range can be equipped with superheaters to produce very high quality process steam, or economisers to recover heat from the flue gas. Simultaneous or independent firing of the furnaces ensures maximum flexibility and turndown performance. The Thermax Twin Furnace steam boiler range is suitable for a wide range of applications, including CHP, airports and manufacturing.



Ratings (F&A 100°C): From 18140 kg/hr to 40000 kg/hr (40000 lb/hr to 88200 lb/hr / 11373 kW to 25075 kW).
Standard Working Pressures: 10.34 Bar and 17.2 Bar. All steam boiler designs are available from 6 Bar up to 28 Bar.
Contact Cochran for information on capacities over 32000kg/hr.

Evaporation		kW	11373	12795	14216	15633	17060	18481	19903
F&A 100°C (212°F)		kg/h	18140	20408	22675	24943	27210	29478	31751
		lb/h	40000	45000	50000	55000	60000	65000	70000
Dimensions	A	mm	7100	7250	7400	7610	7630	8330	8330
	B	mm	4061	4860	4980	5086	5225	5310	5475
	C	mm	1681	2095	2210	2286	2325	2360	2400
	D	mm	5335	5640	5745	5840	5940	6205	6355
	E	mm	4490	4535	4715	4850	4880	4900	5050
	F	mm	3625	3980	3980	4315	4335	4685	4685
	G	mm	2340	2765	2770	2800	2900	2950	3075
Min. Transport Width		mm	3362	4190	4420	4573	4650	4720	4800
Min. Transport Height		mm	3512	4340	4570	4725	4800	4870	4955
Rec. Chimney Dia.		mm	890	940	1016	1092	1168	1194	1220
Safety Valve Exhaust Dia.		mm	114	114	114	140	140	140	140
Steam Stop Valve Dia.		mm	230	250	250	300	300	300	300
Blow Down Valve Dia.		mm	50	50	50	50	50	50	50
Feed Water Inlet Dia.		mm	75	75	75	75	75	75	75
Boiler Weight-Empty		Tonne	45.7	50.8	55.9	61	67	75.2	84.4
Boiler Weight-Full		Tonne	86.7	96.6	106	113	127	142	158

Note: All Dimensions and weights are approximate only and are based on a boiler working pressure of 10.34 Bar G.

+44(0) 1461 202 111 www.cochran.co.uk

Cochran Ltd Newbie Works, Annan, Dumfries & Galloway, UK DG12 5QU.

©2013 Cochran Ltd. Version 2 07/2013