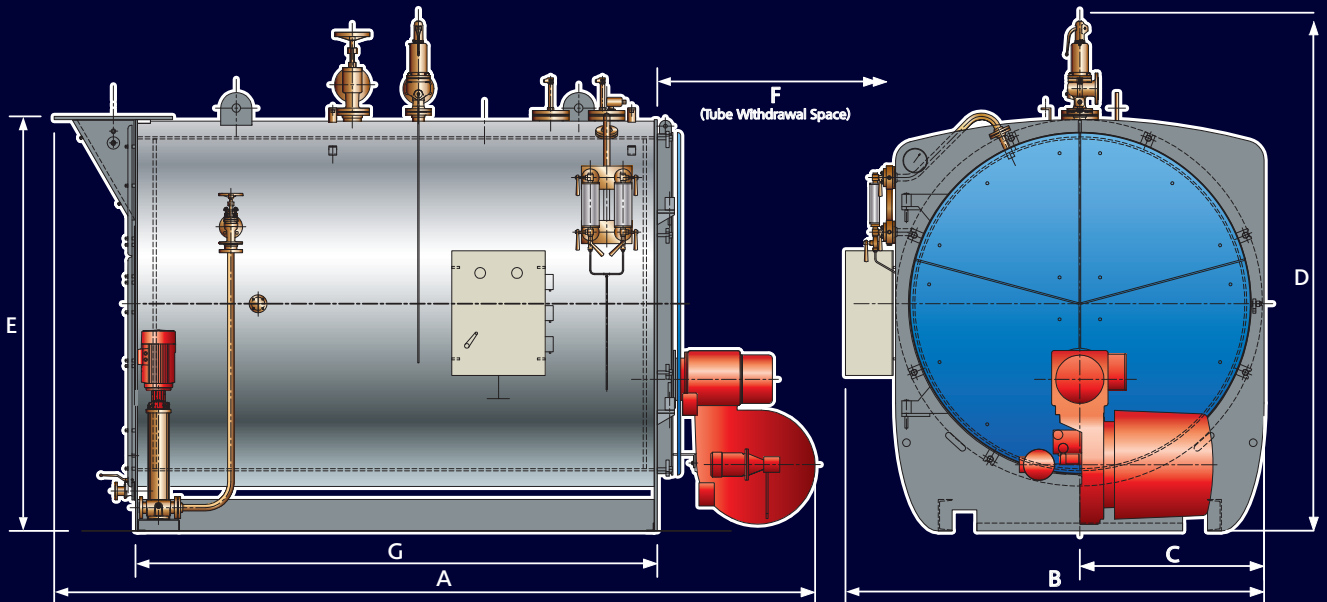


Cochran Steam Boiler

Model:
Wee Chieftain

The Wee Chieftain is probably the world's best-known and most respected industrial boiler. The Cochran three pass, wetback boiler is renowned for its reliability and durability, as well as its robust design. Wee Chieftain boilers can be found hard at work in over 100 countries across the globe. Suitable for any application, the design features Cochran's low NOx, low noise burners as standard, and are available with a comprehensive range of control options.



Rating (F&A 100°C): 1000 kg/hr to 6000 kg/hr (2205 lb/hr to 13228 lb/hr / 627 kW to 3761 kW)
Standard Working Pressure: 10.34 Bar. All steam boiler designs are available from 6 Bar up to 28 Bar.

Evaporation			kW	627	940	1254	1567	1881	2194	2507	2821	3134	3510	3761
F&A 100°C (212°F)			kg/h	1000	1500	2000	2500	3000	3500	4000	4500	5000	5600	6000
			lb/h	2205	3307	4409	5512	6614	7716	8818	9921	11023	12346	13228
Dimensions	Oil	A	mm	3145	3763	3763	4347	4391	4391	4896	4901	5414	5838	6176
	Nat.Gas	A	mm	3355	3953	3953	4552	4727	4753	5009	5009	5522	5951	6176
		B	mm	1901	2101	2101	2486	2637	2637	2690	2690	2845	2845	3671
		C	mm	781	881	881	1073	1149	1149	1184	1184	1250	1250	1250
		D	mm	2153	2413	2413	2882	3034	3034	3251	3251	3366	3394	3394
		E	mm	1766	1966	1966	2350	2502	2502	2647	2647	2779	2780	2780
		F	mm	1980	2440	2440	2964	2950	2950	3170	3170	3650	3980	4205
		G	mm	2153	2633	2633	3154	3140	3140	3360	3360	3840	4233	4456
Recommended Chimney Dia.			mm	230	280	305	355	380	405	430	455	485	510	535
Safety Valve Exhaust Dia.			mm	40	50	50	65	65	65	80	80	80	100	100
Steam Stop Valve Dia.			mm	50	65	65	80	100	100	100	100	100	125	125
Blow Down Valve Dia.			mm	25	25	25	25	25	25	25	25	25	25	25
Feed Check Valve Dia.			mm	25	25	25	25	40	40	40	40	40	40	40
Feed Pump Inlet Dia.			mm	25	25	25	25	25	25	25	25	25	32	32
Feed Water Strainer Dia.			mm	25	25	25	25	40	40	40	40	40	40	40
Oil Inlet Connection Dia.			B.S.P.	3/8"	3/8"	3/8"	3/8"	3/8"	1"	1"	1"	1"	1"	1"
Boiler Weight-Empty			Tonne	3.70	5.00	5.10	8.10	9.20	9.20	11.30	11.40	14.20	14.42	16.82
Weight to N.W.L.			Tonne	5.20	7.40	7.50	13.30	14.90	14.90	17.60	17.70	22.70	23.88	26.74
Weight full of Water			Tonne	5.60	8.00	8.10	14.40	16.30	16.30	19.20	19.30	24.70	26.10	28.74

Note: All Dimensions and weights are approximate only and are based on a boiler working pressure of 10.34 Bar G.

+44(0) 1461 202 111 www.cochran.co.uk

Cochran Ltd Newbie Works, Annan, Dumfries & Galloway, UK DG12 5QU.

©2013 Cochran Ltd. Version 2 07/2013



COCHRAN
Energy Solutions Worldwide